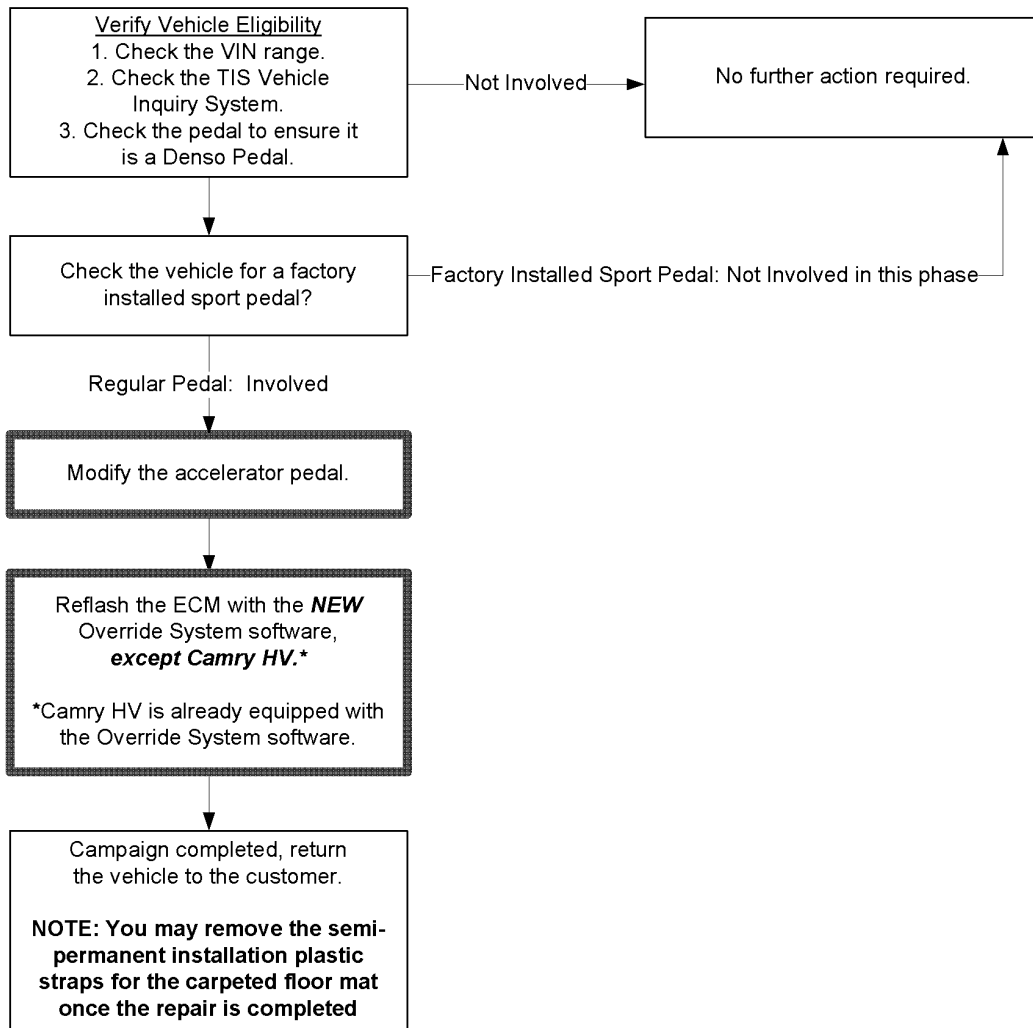


TECHNICAL INSTRUCTIONS
FOR
SAFETY RECALL 90L
DENSO ACCELERATOR PEDAL MODIFICATION
2007 – 2010 MODEL YEAR CAMRY

I. OPERATION FLOW CHART



II. IDENTIFICATION OF AFFECTED VEHICLES

A. AFFECTED VIN RANGE

Model	WMI	Year	VIN Range	
			VDS	Range
CAMRY	4T1	2007	BB46K	U [REDACTED] - U [REDACTED]
			BE46K	U [REDACTED] - U [REDACTED]
			BK46K	U [REDACTED] - U [REDACTED]
		2008	BB46K	U [REDACTED] - U [REDACTED]
			BE46K	U [REDACTED] - U [REDACTED]
			BK46K	U [REDACTED] - U [REDACTED]
		2009	BB46K	U [REDACTED] - U [REDACTED]
			BE46K	U [REDACTED] - U [REDACTED]
			BK46K	U [REDACTED] - U [REDACTED]
		2010	BB3EK	U [REDACTED] - TBD
			BF3EK	U [REDACTED] - TBD
			BK3EK	U [REDACTED] - TBD

Model	WMI	Year	VIN Range	
			VDS	Range
CAMRY	4T1	2007	BB46K	3 [REDACTED] - 3 [REDACTED]
			BE46K	3 [REDACTED] - 3 [REDACTED]
			BK46K	3 [REDACTED] - 3 [REDACTED]
		2008	BB46K	3 [REDACTED] - 3 [REDACTED]
			BE46K	3 [REDACTED] - 3 [REDACTED]
			BK46K	3 [REDACTED] - 3 [REDACTED]
		2009	BB46K	3 [REDACTED] - 3 [REDACTED]
			BE46K	3 [REDACTED] - 3 [REDACTED]
			BK46K	3 [REDACTED] - 3 [REDACTED]
		2010	BB3EK	3 [REDACTED] - TBD
			BF3EK	3 [REDACTED] - TBD
			BK3EK	3 [REDACTED] - TBD

NOTE:

- Check the TIS Vehicle Inquiry System to confirm the VIN is involved in this SSC, and that the campaign has not already been completed prior to dealer shipment or by another dealer.
- TMS warranty will not reimburse dealers for repairs conducted on vehicles that are not affected or were completed by another dealer.

Important Sport Pedal Information

Sport Pedal Type	Involvement	Method of Identification	Action
Dealer/Port Installed Sport Pedal Cover Accessory	Involved	Plastic pedal arm	Notify ASM Remove pedal cover and perform campaign. Do not reinstall the pedal cover after modification. Reimburse customer for the cost of the sport pedal cover accessory.
Factory Installed Sport Pedal	Not involved in this phase	Metal pedal arm	Notify ASM, Return vehicle to customer.

III. PREPARATION

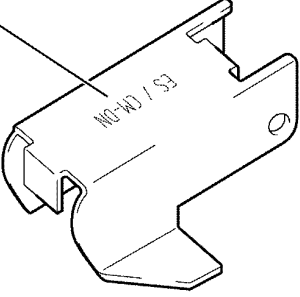
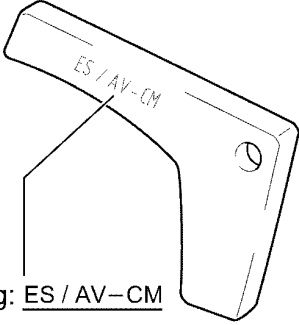
A. PARTS

Part Number	Part Description	Quantity
04009-52106	Tibia Pad	1
78118-41010	Rubber Pad	1

B. TOOLS & EQUIPMENT

- | | | |
|---|---|---|
| <ul style="list-style-type: none"> • Dust mask • Hair dryer or • Low temperature heat gun • Hand file • Hack saw | <ul style="list-style-type: none"> • Orbital sander * • Protective eyewear • Protective work gloves • Reciprocating Saw * • Scribe | <ul style="list-style-type: none"> • Standard hand tools • Techstream • Torque wrench • Workbench with vise |
|---|---|---|
- **One orbital sander and one reciprocating saw will be provided to each dealership.**

C. ACCELERATOR PEDAL TEMPLATE & GAUGE

Cutting Template (Color: Silver) ** Application: DENSO Accelerator Pedal	Shape Gauge (Color: Silver) ** Application: All Accelerator Pedals
<p>Stamping : <u>ES / CM-DN</u></p> 	 <p>Stamping: <u>ES / AV-CM</u></p>

**** One DENSO cutting template and one shape gauge will be provided to each dealership.**

D. MATERIALS

- Bubble wrap
- Double sided tape – (3/4" wide Scotch ® Heavy Duty Mounting Tape 110-Long)
- Industrial tape – (2" wide Gorilla Tape ®)
- Masking tape
- Sandpaper 400 grit
- Shop cloth

IV. BACKGROUND

In early October, Toyota announced it will initiate a Safety Recall Campaign (Special Service Campaign) for potential floor mat interference with the accelerator pedal. The condition involves the potential for an unsecured or incompatible driver's floor mat to interfere with the accelerator pedal and cause it to get stuck in the wide open position.

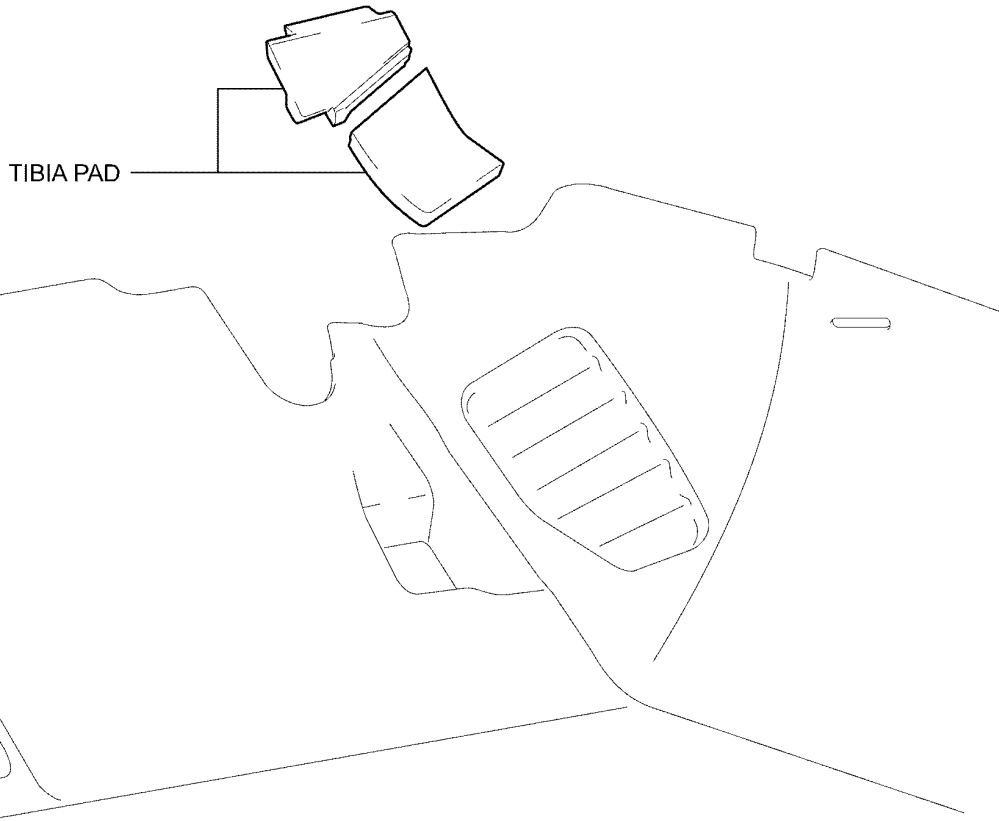
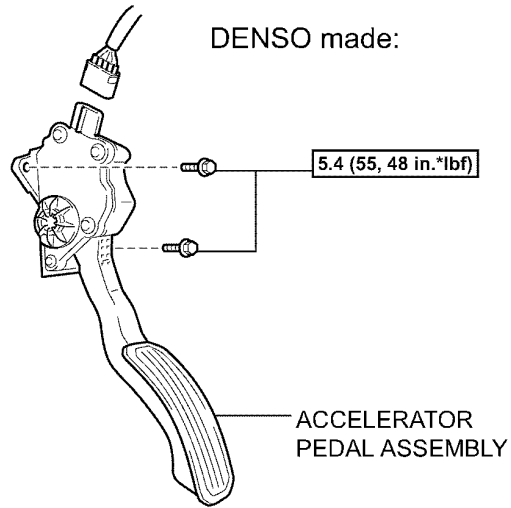
- The accelerator pedal will be modified to reduce the risk of an unsecured or incompatible floor mat from interfering with the accelerator pedal.
- Foam pads underneath the carpet in the accelerator pedal area will also be removed and/or replaced to modify the shape of the floor.
- Vehicles equipped with the optional genuine Toyota All Weather Floor Mats (AWFM) will be inspected to determine if the AWFM set is of an older design. If it is, the older design AWFM for the driver and the front passenger will be replaced with newly designed ones.
- Finally, the ECM will be reflashed with newly designed software to provide customers an extra measure of confidence. This reflash will allow the system to cut engine power in case of simultaneous application of both the accelerator and brake pedals during certain driving speeds.
- This phase will include 2007 – 2010 Camry vehicles equipped with a Denso accelerator pedal only.
- Owners of vehicles equipped with the CTS pedal will receive a different owner letter and the CTS equipped vehicles will have a separate repair procedure. Due to pedal differences it is vital that only Denso pedals are repaired in this phase.

V. WORK PROCEDURE

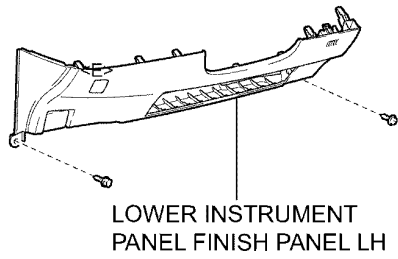
A. COMPONENTS

Never install a Denso Pedal into a vehicle that originally was equipped with a CTS pedal.

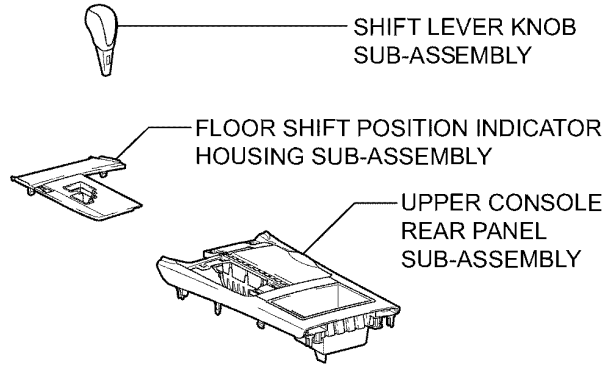
Never install a CTS Pedal into a vehicle that originally was equipped with a Denso pedal.



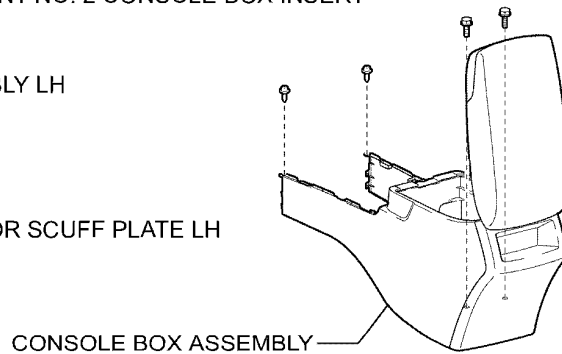
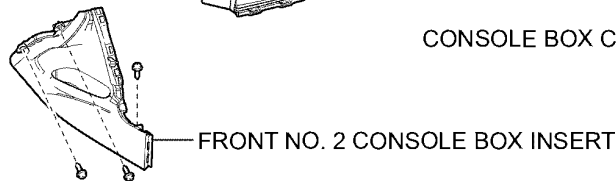
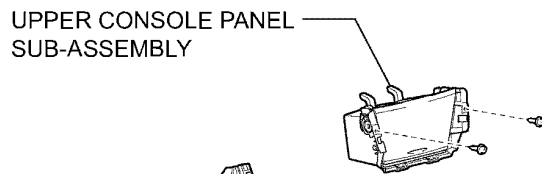
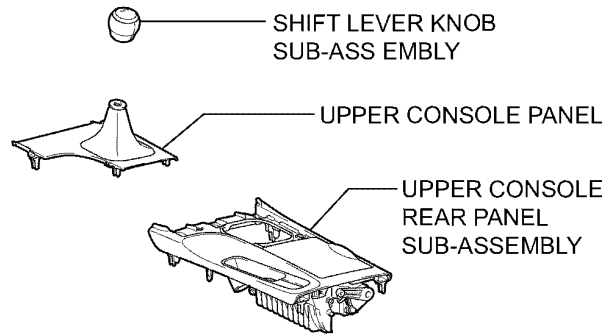
N*m (kgf*cm, ft.*lbf): Specified torque



for Automatic Transaxle:



for Manual Transaxle:

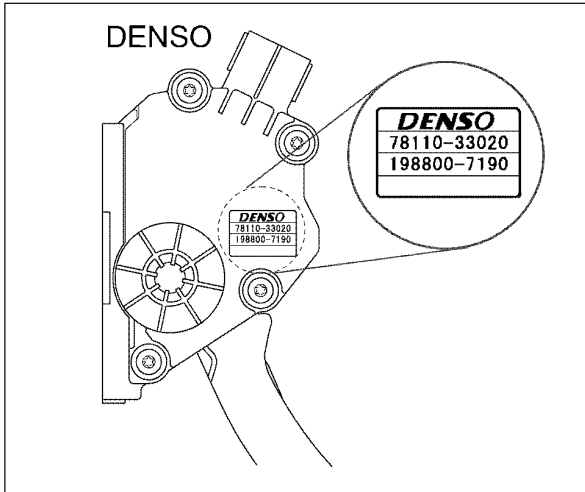


B. REMOVE THE ACCELERATOR PEDAL



ACCELERATOR PEDAL HANDLING NOTES:

- DO NOT drop
- DO NOT reuse an accelerator pedal that has been dropped
- Avoid vibration and shock
- DO NOT place the sensor portion of the pedal in a vise
- Cover and uncover the sensor while in the vehicle to prevent damage and debris from entering

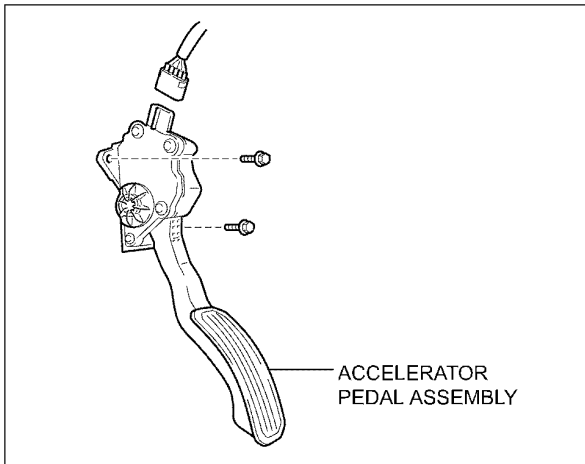


1. IDENTIFY AND REMOVE THE DENSO ACCELERATOR PEDAL ASSEMBLY

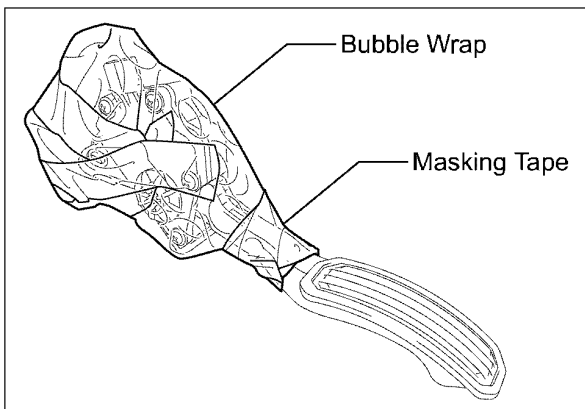
- Verify the vehicle has a Denso accelerator pedal assembly by identifying the manufacturing imprint as illustrated here.
- If the pedal is manufactured by Denso continue following the instructions.
- If the pedal is manufactured by CTS, DO NOT CONTINUE WITH THESE INSTRUCTIONS.

NOTE

Modifications should only be performed on Denso pedals.



- Disconnect the accelerator pedal electrical connector.
- Remove the 2 bolts.

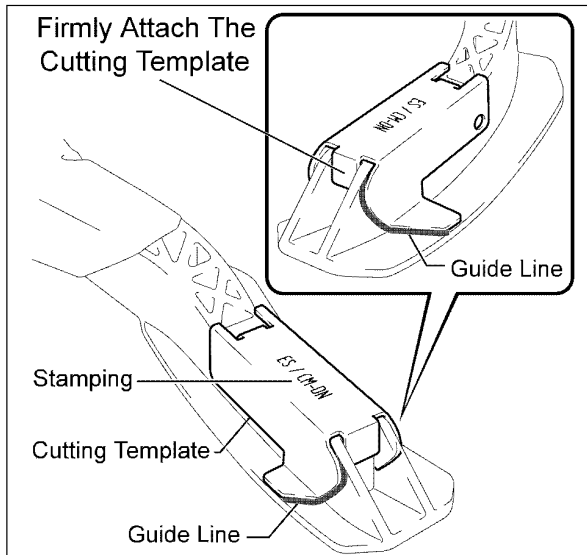


- While still inside the vehicle, use bubble wrap and masking tape to cover and protect the sensor.

NOTE:

- Be sure to use bubble wrap to protect the sensor.
- Be sure to seal the bubble wrap with masking tape to prevent damage to the sensor, and cutting debris from entering the pedal's movable lock.
- DO NOT reuse the bubble wrap.

C. CUT THE DENSO ACCELERATOR PEDAL



2. MARK THE AREA TO BE CUT

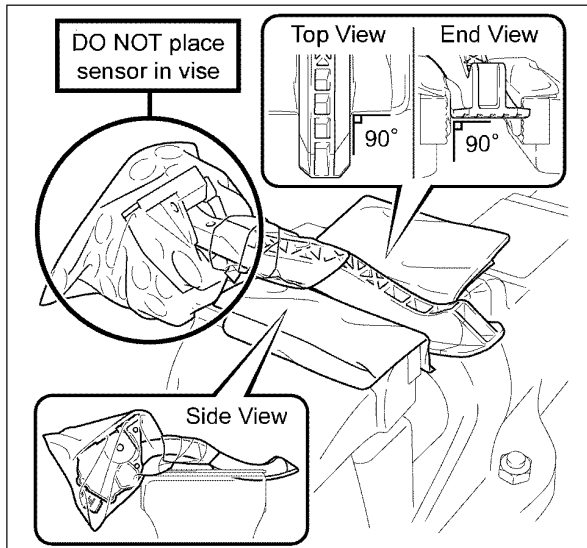
- a) Firmly set the template to the pedal. Scribe guide lines to outline the area to be cut.

Cutting Template:

- Color: Silver
- Stamping: ES / CM-DN

NOTE:

- **DO NOT** mark the area beyond the template.
- Use a flat tip screwdriver if a scribe is not available.
- Make sure to use the correct cutting template by verifying the color and stamping.
- Never cut or sand the pedal while the template is on the pedal.

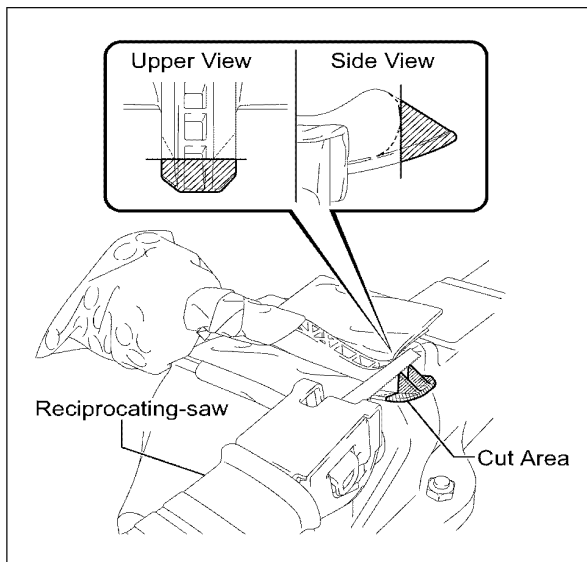


3. SECURE THE ACCELERATOR PEDAL ASSEMBLY

- a) Set the pedal in the vise at a right angle using a shop cloth while avoiding the sensor portion.

NOTE:

- **DO NOT** place the sensor in the vise to avoid damage.
- Firmly secure the pedal to prevent it from moving.
- **DO NOT** over tighten the vise.

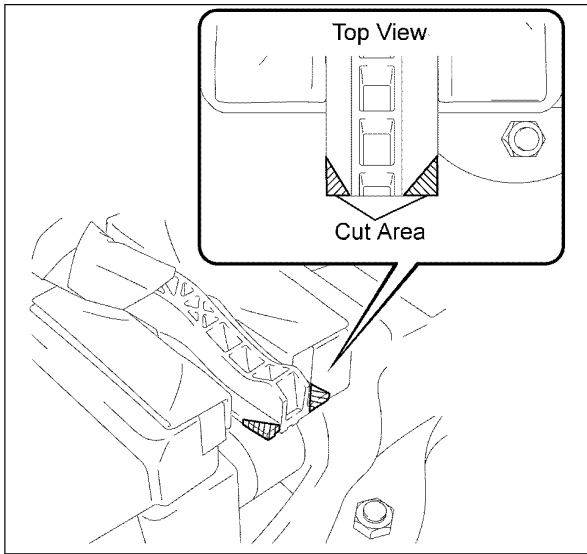


4. CUT THE ACCELERATOR PEDAL

- a) Using a reciprocating saw, cut the lower section of the pedal.

NOTE:

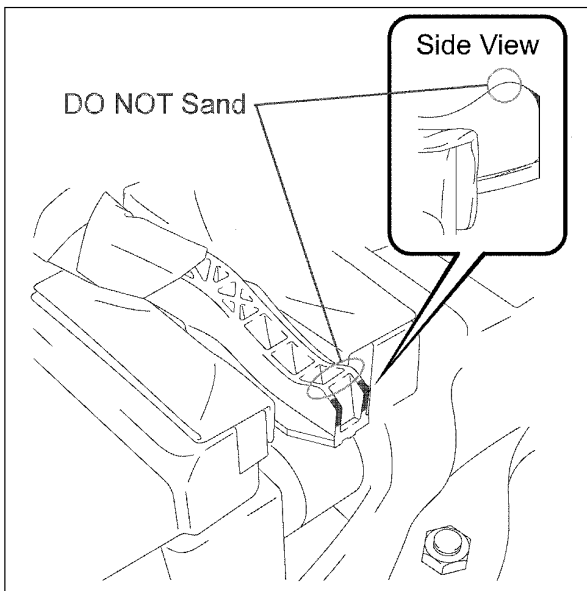
- Always wear protective eyewear, gloves, and dust mask when cutting.
- The cut must be straight and clean.
- Apply consistent pressure during cutting.
- Do not stop while cutting.



b) Using a reciprocating saw, cut the corners of the pedal.

NOTE:

- Always wear protective eyewear, gloves, and dust mask when cutting.
- Each cut must be straight and clean.
- Apply consistent pressure during cutting.
- Do not stop while cutting.

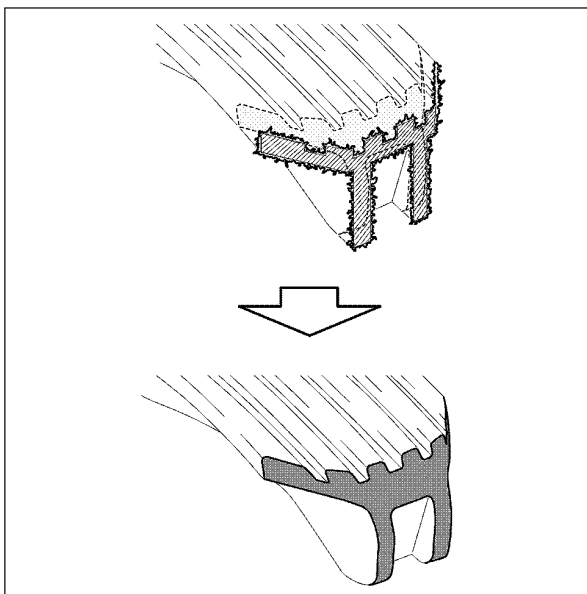


5. SAND THE RADIUS LINE

a) Using an orbital sander, sand the radius line which was scribed and remove the sharp edges and burrs.

NOTE:

- Always wear protective eyewear, gloves, and dust mask when sanding.
- DO NOT sand the back of the pedal arm.

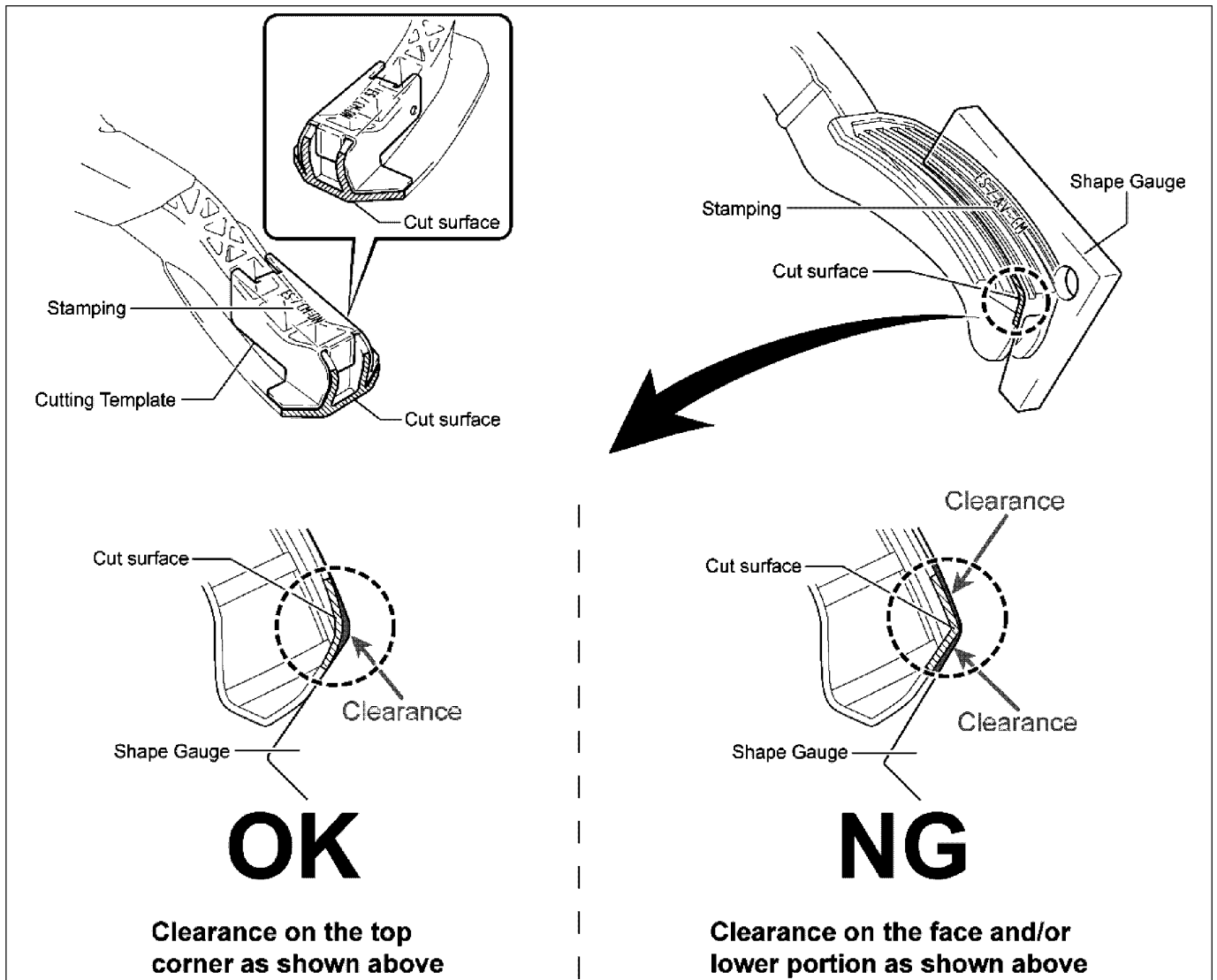


6. REMOVE ALL BURRS FROM THE CUTTING SURFACE

- Remove the pedal from the vise.
- Turn the pedal over and set the pedal in the vise using a shop cloth while avoiding the sensor.
- Using an orbital sander and file, remove all burrs from the cutting surface. The cut edges along the foot pad should be rounded and not square.
- Finish the cut surface and all edges with 400 grit sandpaper.

NOTE:

- Always wear protective eyewear, gloves, and dust mask when sanding or filing.
- DO NOT place the sensor in the vise to avoid damage.
- Firmly secure the pedal to prevent it from moving.
- DO NOT over tighten the vise.



7. CHECK THE SHAPE OF THE PEDAL

- a) Using the correct cutting template and shape gauge, check the shape of the pedal.

Cutting Template

Color: Silver,
Stamping: ES / CM-DN

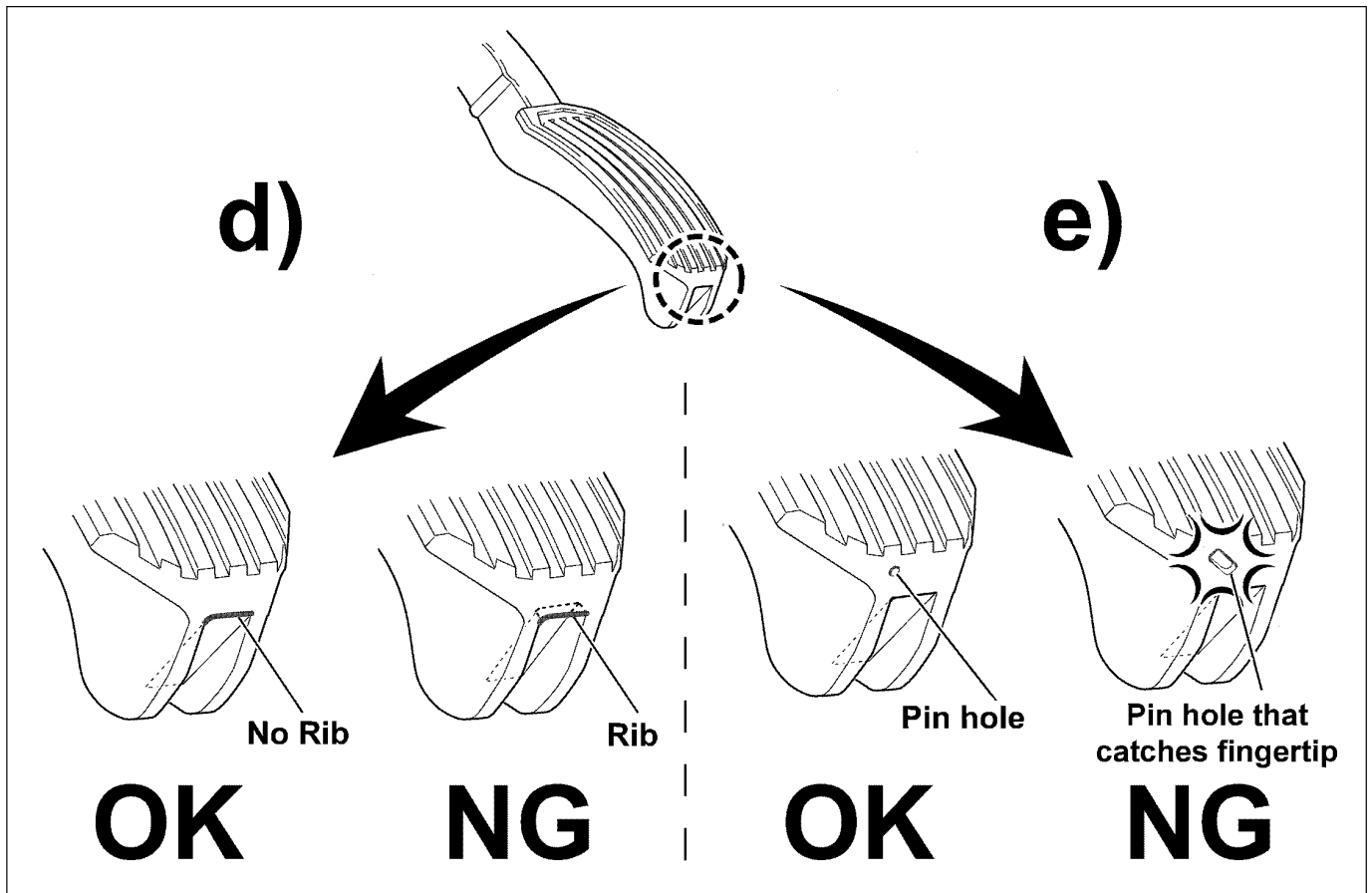
Shape Gauge

Color: Silver
Stamping: ES / AV-CM

- b) If the shape does NOT match the template and or gauge, continue filing.
c) If the shape matches the template and gauge, touch the cut surface with your hand to verify it is smooth and free of burrs.

NOTE:

- Always wear protective eyewear, gloves, and dust mask when sanding or filing.
- A tolerance of -1.0 mm is permissible between the final cut surface and the template.

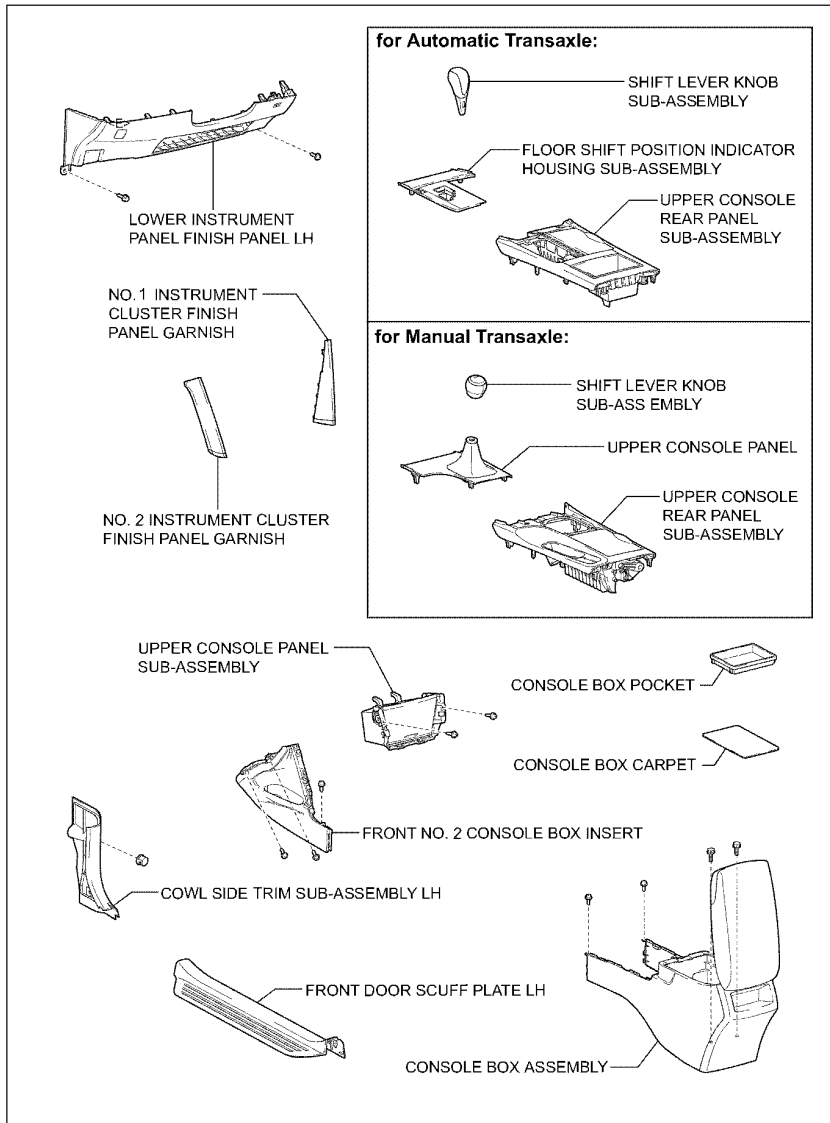


- d) Check for a rib as shown. If there is a rib, file it until it is gone.
- e) Check for a pin hole on the finished surface. If there is a pin hole, touch it with your fingertip. If the edges of hole catch your fingertip, replace and modify a new pedal.
- f) DENSO accelerator pedal modification is now complete; proceed to section “E. FLOOR CARPET MODIFICATION” on the page 18.

NOTE:

Regarding the pin hole, the key point of judgment is a “smooth pedal surface”, not necessarily size.

D. FLOOR CARPET MODIFICATION

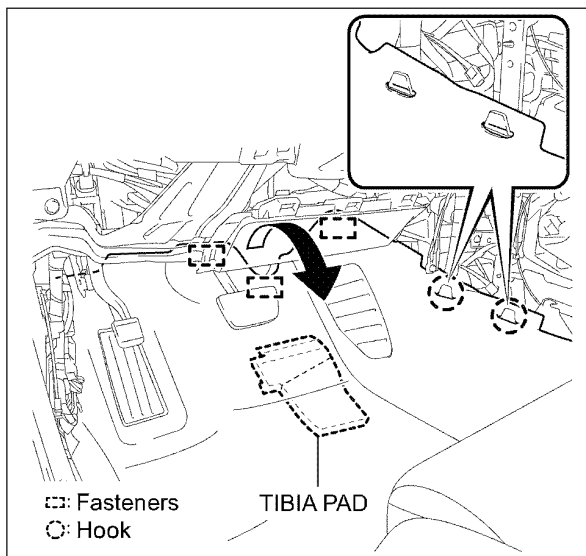


1. REMOVE THE FOLLOWING COMPONENTS

- Front door scuff plate LH
- Cowl side trim sub-assembly LH
- Lower instrument panel finish panel LH
- Shift lever knob sub-assembly
- No. 1 instrument cluster finish panel garnish
- No. 2 instrument cluster finish panel garnish
- Floor shift position indicator housing sub-assembly **(automatic transmission ONLY)**
- Upper console panel **(manual transmission ONLY)**
- Upper console rear panel sub-assembly
- Upper console panel sub-assembly
- Console box pocket
- Console box carpet
- Console box assembly
- Front No. 2 console box insert

NOTE

For additional information on removal of the components above, please refer to TIS.

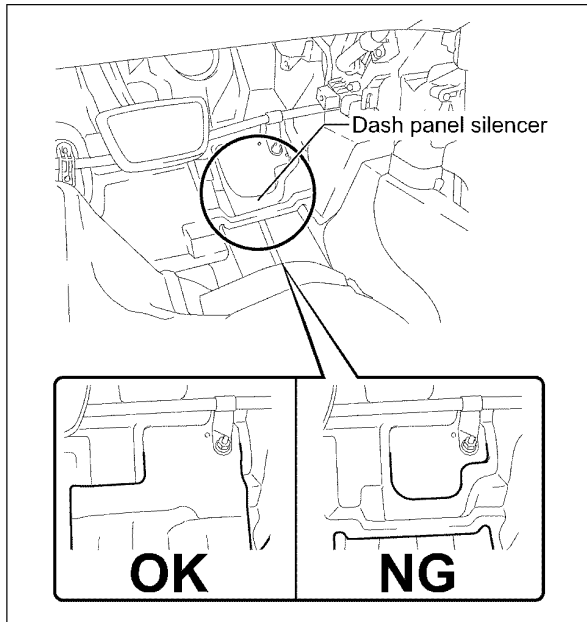


2. PULL BACK THE FLOOR CARPET

- a) Disengage the 3 fasteners.
- b) Disengage the floor carpet from the 2 hooks and pull it back as illustrated.

NOTE:

There are some vehicles with a hole, two holes or no hole in the floor carpet for a hook.



3. INSPECT THE LOWER PORTION OF THE FABRIC FLOOR SILENCING MATERIAL

- a) Inspect the lower portion of the fabric floor silencing material.
 - If OK, proceed to step 5 “RUBBER PAD APPLICATION” below.
 - If NG, please refer to APPENDIX “B” for “CUT THE FLOOR SILENCING MATERIAL”

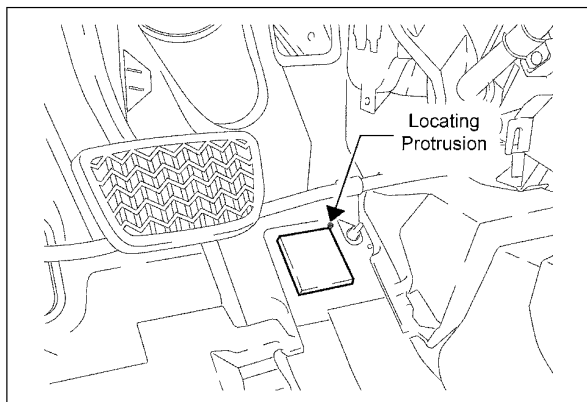
NOTE:

The fabric floor silencing material is a soft, gray, paper-like material beneath the carpet.

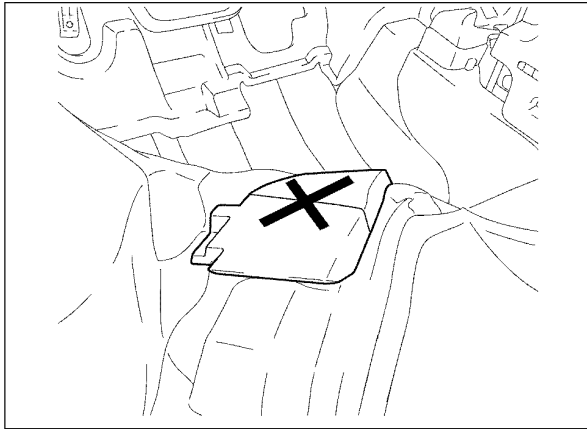


4. RUBBER PAD APPLICATION

- a) Inspect the rubber pad application area for sound deadening material.
 - If OK (no sound deadening material in pad application area), proceed to step “b” below.
 - If NG (sound deadening material found in application area), please refer to APPENDIX “C” for “REMOVE THE SOUND DEADENING MATERIAL”.



- b) Clean and degrease the rubber pad application area.
- c) Peel the double sided tape cover off the **NEW** rubber pad.
- d) Apply the rubber pad to the floor pan. The upper right corner of the rubber pad needs to be positioned next to the locating protrusion.

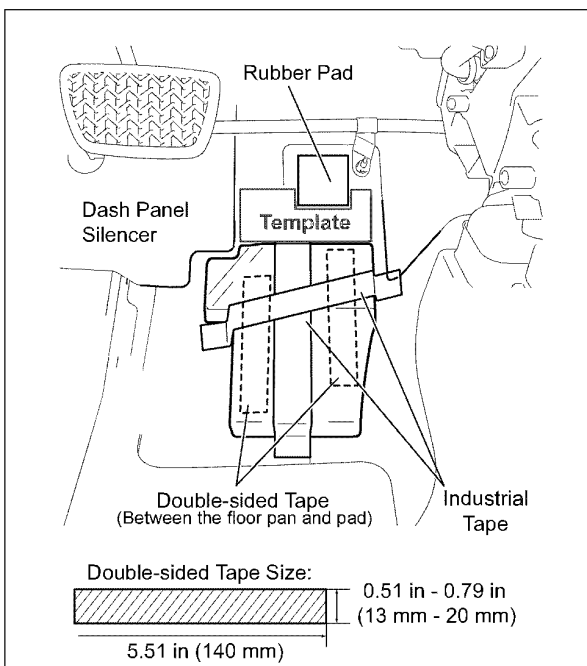


5. REMOVE THE TIBIA PADS

- a) Place an "X" mark on the tibia pads before removing. This will prevent them from being mixed up with the new pads.
- b) Using a hair dryer or a low temperature heat gun, warm up the carpet side of the 2 tibia pads until the adhesive is loose. This will make it easier to remove the 2 tibia pads from the carpet. **Pay close attention when using the hair dryer or low temperature heat gun to prevent damage to the carpet.**
- c) Remove the tibia pads. **CAUTION: DO NOT** forcefully pull the pads. Doing so may damage the carpet. If necessary, re-heat the carpet to make the adhesive more pliable.



Carefully take the time to understand Step 6 (Next step). It is necessary to correctly complete this procedure to prevent the tibia pads from slipping.

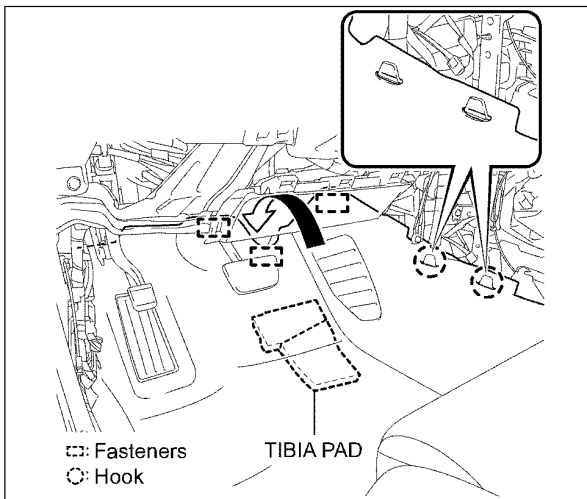


6. INSTALL THE NEW TIBIA PAD

- a) Apply double sided tape to the bottom (floor pan side) of the tibia pad.
- b) Using the Tibia Pad Placement Template as a guide (Template is located in the Appendix), position and apply the **NEW** Tibia pad to the floor pan.
- c) Remove template.
- d) Apply a piece of industrial adhesive tape from the top to the bottom of the tibia pad.
- e) Apply a second piece of industrial adhesive tape from the left to the right side of the tibia pad.

NOTE:

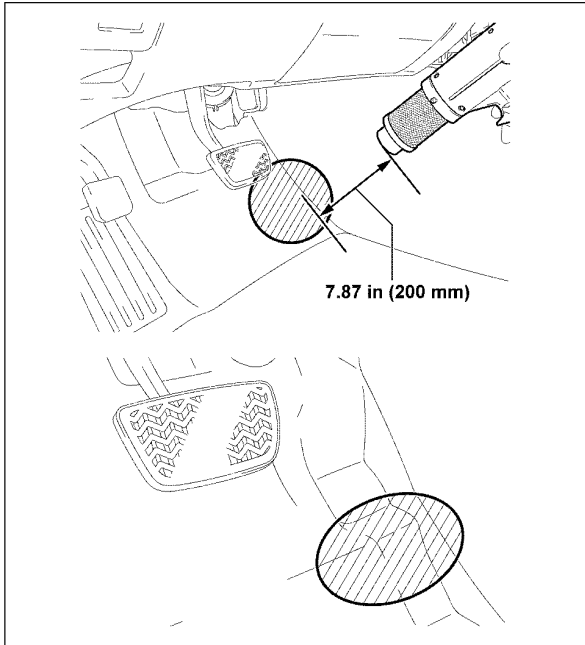
- **Angle the industrial adhesive tape running left to right to ensure that both tibia pads are covered.**
- **Both pieces of industrial adhesive tape should have a good contact surface to the floor pan.**



- e) Place the floor carpet back into position and engage the 2 hooks as shown in the illustration.
- f) Engage the 3 fasteners.

NOTE:

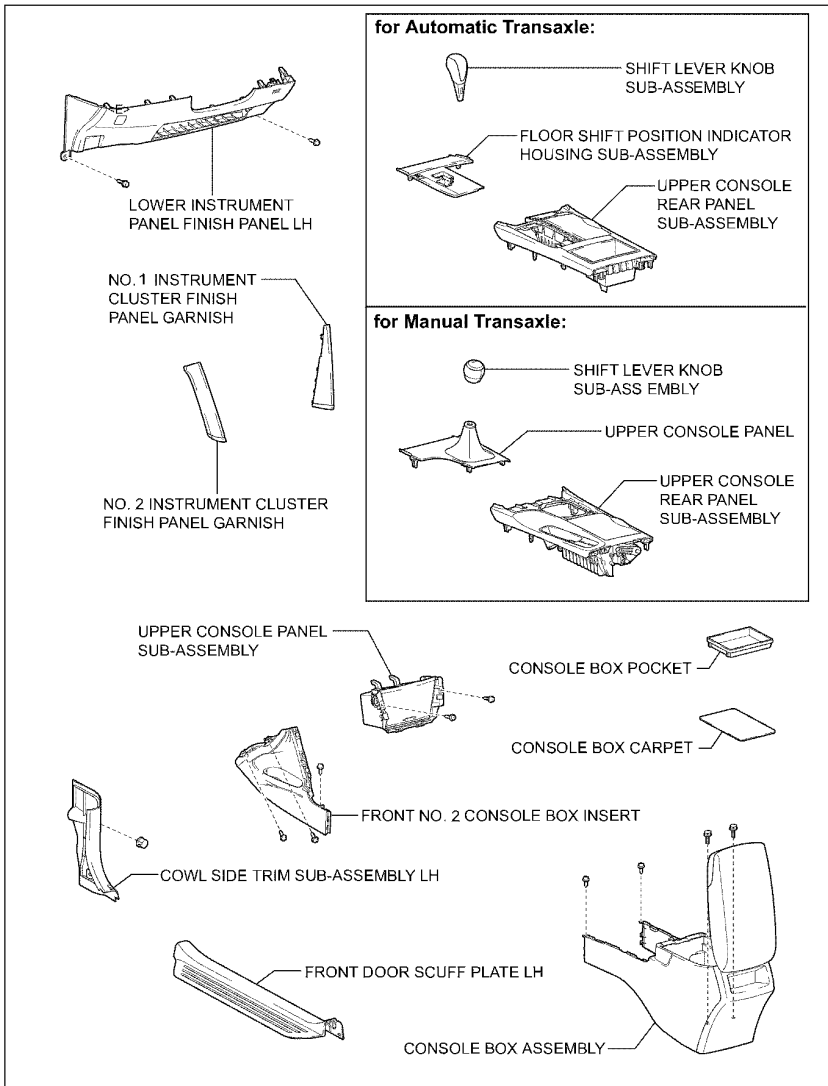
- **Be careful not to detach the tibia pads when placing the carpet back into position.**
- **There are some vehicles with a hole, two holes or no hole in the floor carpet for a hook. For the vehicles with a hole(s), please be certain to install the hook to the hole(s). If the vehicle has no hole in the floor carpet for a hook, please reset the floor carpet to the original position.**



- g) Heat the floor carpet area for 2 minutes as shown and smooth it out by pushing it with your hand. Heat the same area again for another minute, and smooth the carpet firmly.

NOTE:

- Always wear protective gloves when heating the floor carpet.
- Keep the hair dryer/ low temperature heat gun more than 8 inches (20 cm) away from the floor carpet, and stop after 1 or 2 minute intervals. Continuous heating of the floor carpet may cause damage.
- DO NOT leave hair drier or low temperature heat gun inside the vehicle when it is hot, to prevent unintended heat damage to interior parts.



7. REINSTALL THE FOLLOWING COMPONENTS

- Front No. 2 console box insert
- Console box assembly
- Console box carpet
- Console box pocket
- Upper console panel sub-assembly
- Upper console rear panel sub-assembly
- Upper console panel (*manual transmission ONLY*)
- Floor shift position indicator housing sub-assembly (*automatic transmission ONLY*)
- No. 2 instrument cluster finish panel garnish
- No. 1 instrument cluster finish panel garnish
- Shift lever knob sub-assembly
- Lower instrument panel finish panel LH
- Cowl side trim sub-assembly LH
- Front door scuff plate LH

NOTE

For additional information on installation of the components above, please refer to TIS.

E. REINSTALL THE ACCELERATOR PEDAL ASSEMBLY



- Do not install a Denso Pedal or its 2 respective mounting bolts into a vehicle that originally was equipped with a CTS pedal and vice versa.
- Ensure the correct pedal and bolts are being reinstalled in the vehicle from which it was removed.

1. REINSTALL THE ACCELERATOR PEDAL ASSEMBLY

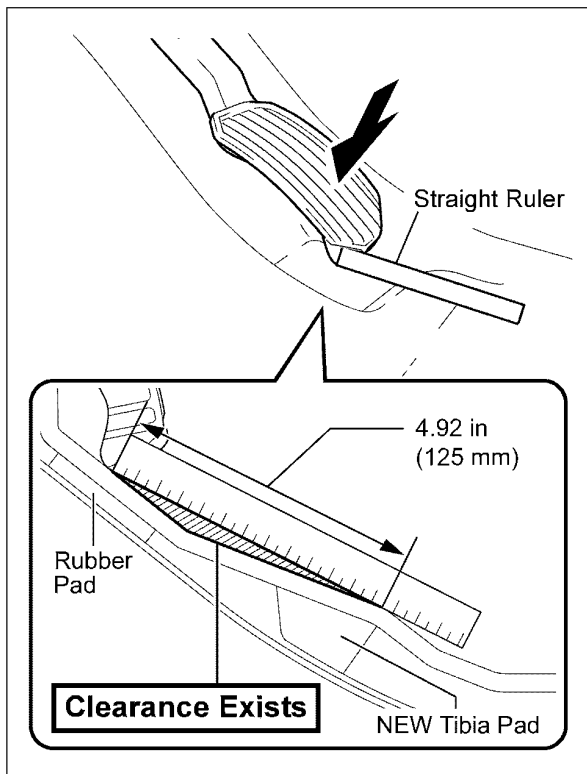
- a) Remove and discard the masking tape and bubble wrap from the accelerator pedal assembly, while it is inside the vehicle.
- b) Reinstall the pedal with the 2 bolts and torque to specification.

Torque Specification:
5.4 Nm (55 kgf cm, 48 in. lbf)

- c) Reconnect the accelerator pedal connector.

NOTE

- DO NOT reuse the bubble wrap.
- For additional information on accelerator pedal installation, please refer to TIS.



2. INSPECT THE FLOOR CARPET

- a) With the accelerator pedal fully depressed, confirm clearance exists between the floor carpet and the straight ruler as shown.
- b) If no clearance exists, reshape the carpet again.
- c) Confirm the claw and all fasteners of the floor carpet are securely attached.

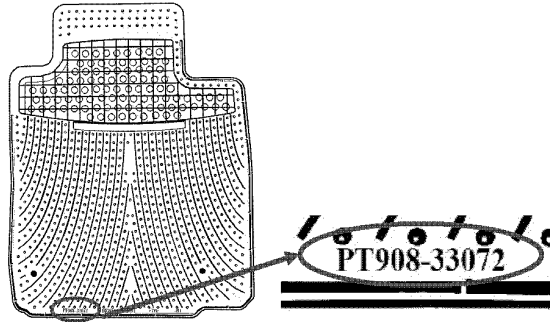
3. INSPECT ACCELERATOR PEDAL OPERATION

- a) Inspect the carpet and floor mat and clean them as appropriate.
- b) Confirm the correct floor mat for this model is secured with the retaining hooks (clips).
 - If the grommets in the floor for the vehicle are in poor condition, refer to the appropriate TSB and repair the grommets.

NOTE:

- If a Recalled All Weather Floor Mat (AWFM) has been identified, remove the AWFM from the vehicle and CUT THE RECALLED AWFM SO THAT IT CANNOT BE REUSED.
- You may remove the semi-permanent installation plastic straps for the carpeted floor mat once the repair is completed.

Locate the ten digit floor mat part number on the bottom of the back side of the mat as illustrated below. PLEASE NOTE, the floor mat part numbers are 12 digits but only the first ten are shown.



For Carpeted Floor Mats:

Utilizing the ten digit part number and the chart below, confirm the vehicle has the correct carpeted floor mat.

Part Number	Model	Type	'07	'08	'09	'10	Color
PT206-32060-11	Camry / Camry Hybrid	Carpeted	x	x	x	x	Ash
PT206-32060-12	Camry / Camry Hybrid	Carpeted	x	x	x	x	Dk Charcoal
PT206-32060-14	Camry / Camry Hybrid	Carpeted	x	x	x	x	Bisque
PT206-32078-40	Camry Hybrid	Carpeted	x				Bisque
PT206-32100-12	Camry / Camry Hybrid	Carpeted				x	Gray
PT206-32100-45	Camry / Camry Hybrid	Carpeted				x	Brown

For All Weather Floor Mats (AWFM):

Utilizing the ten digit part number and the chart below, confirm the vehicle has the newly designed AWFM.

Part Number	Model	Type	'07	'08	'09	'10	Color
PT908-0310W-02	Camry	All Weather	x	x	x	x	Black
PT908-0310W-14	Camry	All Weather	x	x	x	x	Brown

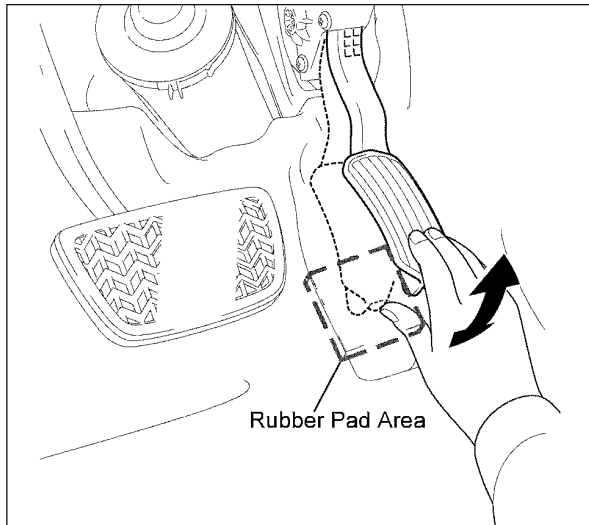
NOTE:

The part numbers listed above are for the 2 piece (driver & front passenger) campaign set ONLY.

DO NOT use the recalled AWFM listed below. These AWFM must be removed from the vehicle and recovered by the dealer.

Part Number	Model	Type	'07	'08	'09	'10	Color
PT908-03071-02	Camry - Do not use	All Weather	x	x	x	x	Black
PT908-03071-14	Camry - Do not use	All Weather	x	x	x	x	Brown
PT908-0307F-02	Camry - Do not use	All Weather	x	x			Black
PT908-0307F-14	Camry - Do not use	All Weather	x	x			Brown
PT908-32070-02	Camry - Do not use	All Weather	x				Black
PT908-32070-14	Camry - Do not use	All Weather	x				Brown

All recalled AWFM will be placed on Warranty Parts Recovery, and dealers will be required to return them to TMS. AWFM that are not returned will result in the claim being debited.



- c) Confirm the pedal does not get caught on the floor or floor mat during operation.
- d) Confirm the pedal operates properly.
- e) Confirm that the bottom of the pedal contacts the rubber pad area when the accelerator pedal is fully depressed.

4. INSPECT THE ACCELERATOR PEDAL ASSEMBLY OPERATION

- a) Connect Techstream to the DLC3.
- b) Enter the following menus: Chassis / ABS - VSC - TRAC / Data List.
- c) Check the values by referring to the table below.

Tester Display	Measurement: Range (Display)	Normal Condition	Diagnostic Note
Accelerator Opening Angle	Accelerator Opening Angle	Accelerator Pedal Released: 0%	-
	Min: 0%, Max: 100%	Accelerator Pedal Fully Depressed: 100%	

AZ/AR Engine	Current CID	New CID
2007-2009 Model Year AZ AT/ULEV	333A5200	333A5300
	333A5100	
	333A5000	
	33366100	
	33366000	
2010 Model Year AR AT/ULEV	333B5000	333B5100
2007-2009 MY AZ MT/ULEV	333A6100	333A6200
	333A6000	
	33367000	
2010 Model Year AR MT/ULEV	30669000	30669100
2007-2009 Model Year AR AT/PZEV	333A7200	333A7300
	333A7100	
	333A7000	
	33368100	
	33368000	
2010 Model Year AR AT/PZEV	333B6000	333B6100

5. REFLASH THE ECM

- a) Reflash the ECM with the **NEW** Override System software following TSIB SS002-07.
- b) For Calibration ID, please refer to the table on the left.

NOTE:

ECM reflashing on the Camry HV is NOT required, as the vehicle is already equipped with the Override System software.

GR Engine	Current CID	New CID
2007 Model Year GR	33334100	33334200
	33334000	
2008-2009 Model Year GR	333A8100	333A8200
	333A8000	
2010 Model Year GR	333B8000	333B8100

6. CHECK FOR DTC CODES

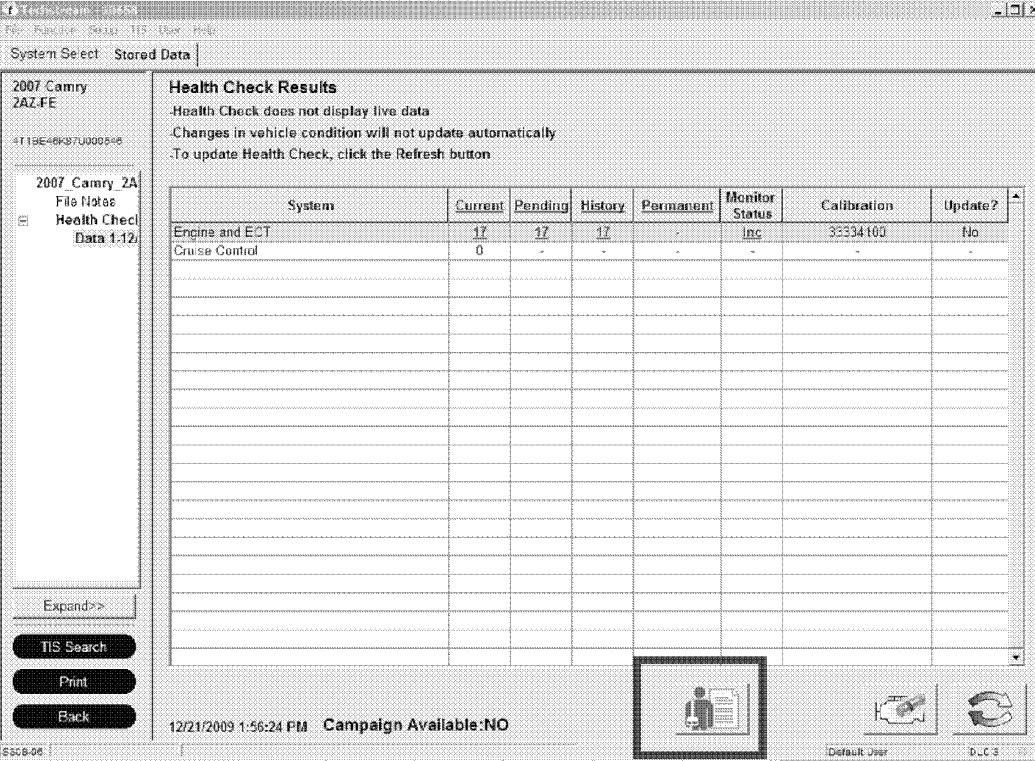
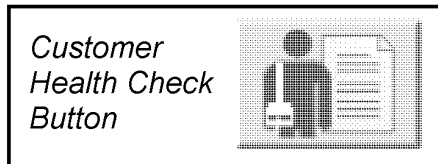
- Connect the Techstream to the DLC3.
- Check for DTC codes.

NOTE:

- A U0101 DTC may set during reprogramming. This is normal and should be cleared.
- For 2010 MY, a U0101 Permanent DTC may remain after DTCs are cleared. This is normal. A Permanent DTC does not illuminate the MIL and will not be cleared by a scantool. If the DTCs are cleared using Techstream but a U0101 Permanent DTC remains, there is no need to troubleshoot. The permanent DTC will clear during customer driving after completing the Universal Trip Drive Pattern.
- If any Pending, Current, and/or History DTCs are set, troubleshoot according to the repair manual.

6. PRINT CUSTOMER HEALTH CHECK REPORT

- From the Health Check Results screen select the Customer Health Check Report button (TIS will launch when button is pressed).



2007 Camry
2AZ-FE
#119E-6697U000966

2007 Camry 2AZ
File Notes
Health Check
Data 1-12

Expand >>

TIS Search
Print
Back

Health Check Results

Health Check does not display live data
Changes in vehicle condition will not update automatically
To update Health Check, click the Refresh button

System	Current	Pending	History	Permanent	Monitor Status	Calibration	Update?
Engine and ECT	17	17	17	-	Inc	3334100	No
Cruise Control	0	-	-	-	-	-	-

12/21/2009 1:56:24 PM Campaign Available:NO

Default User D.L.C 3

- b) Log in to TIS.
- c) Input Vehicle Mileage and Repair Order number.
- d) Check the "Performed" radio button for the 90L campaign and any other campaigns completed during this service event.
- e) Select the Report button.

Diagnostic Report

Vehicle Information

Mileage: 7707

Repair Order: 77000

Our systems show the following campaigns are outstanding. Have any of these campaigns been completed? (Check for SSC door label if unsure.)

90L Performed Not Performed

- a) Confirm Customer Health Check Report information is correct.

Diagnostic Report

Vehicle Information

Vehicle: 2007 Camry VIN: 4T1BE46K07A Mileage: 7707
 Repair Order: 77000

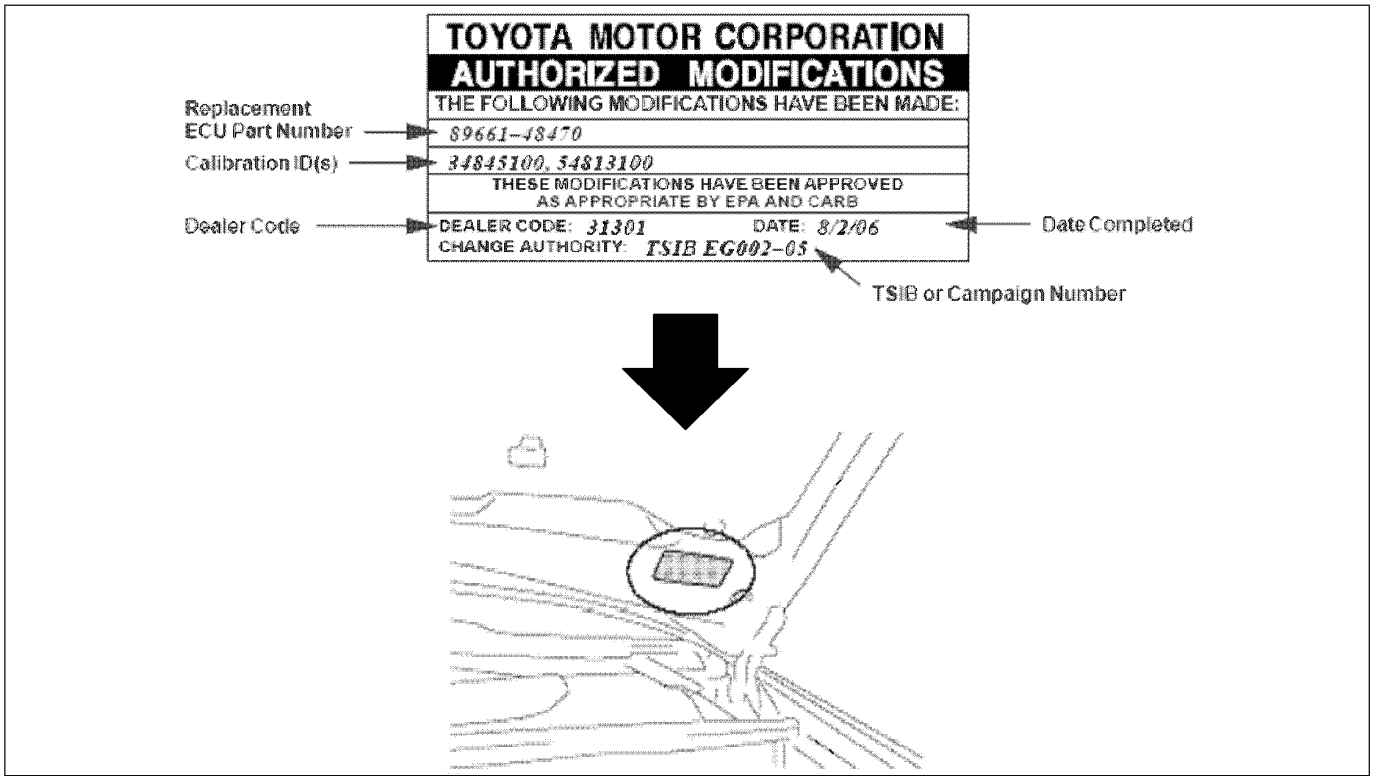
Health Check Summary

Checkpoints	Status	Comments
Powertrain Systems	All systems OK	
Chassis Systems	All systems OK	
Electrical Systems	All systems OK	
Network Systems	All systems OK	
Service Campaigns	No Action Required	90L: Performed

Performed 12/21/09, 3:49 PM

- b) Print Customer Health Check Report from TIS.
- c) Sign and provide to the customer.

7. TEST DRIVE THE VEHICLE AND INSPECT FOR ANY PROBLEMS



8. AFFIX THE AUTHORIZED MODIFICATIONS LABEL

a) Using a permanent marker or ball point pen, complete the Authorized Modifications Label and attach it to the underside of the hood in front of the driver as shown.

- **Replacement ECU Part Number & Calibration ID(s)**

Model Year	Replacement ECU Part Number	Calibration ID

- Dealer Code
- Date Completed
- Campaign Number

NOTE:

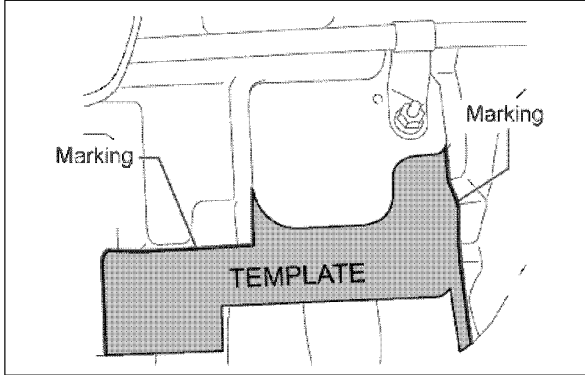
Authorized Modifications Label (in packages of 25) can be ordered through the Material Distribution Center (MDC), P/N 00451-00001-LBL.

VI. APPENDIX

A. RECALLED PARTS DISPOSAL

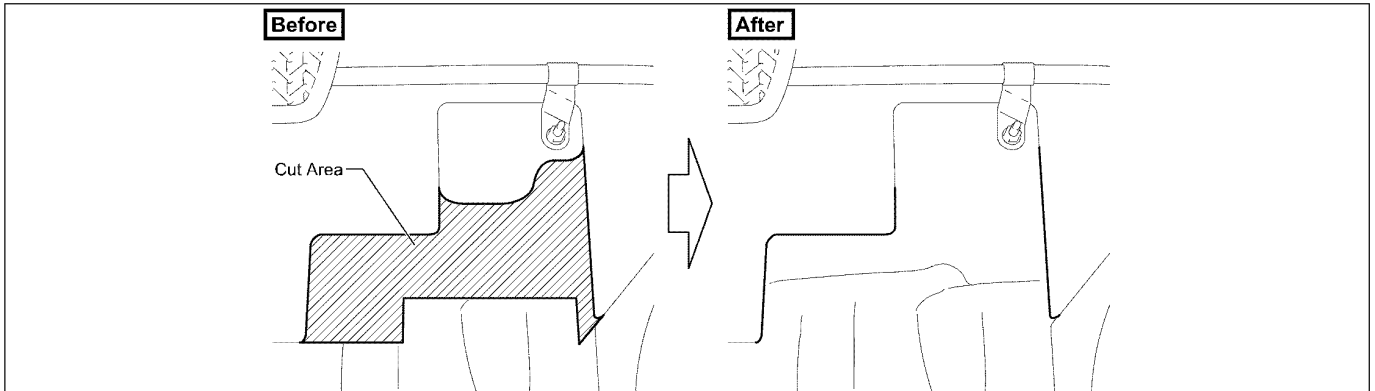
As required by Federal Regulations, please make sure all recalled parts (original parts) removed from the vehicle are disposed of in a manner in which they will not be reused, ***unless requested for parts recovery return.***

B. CUT THE FABRIC FLOOR SILENCING MATERIAL

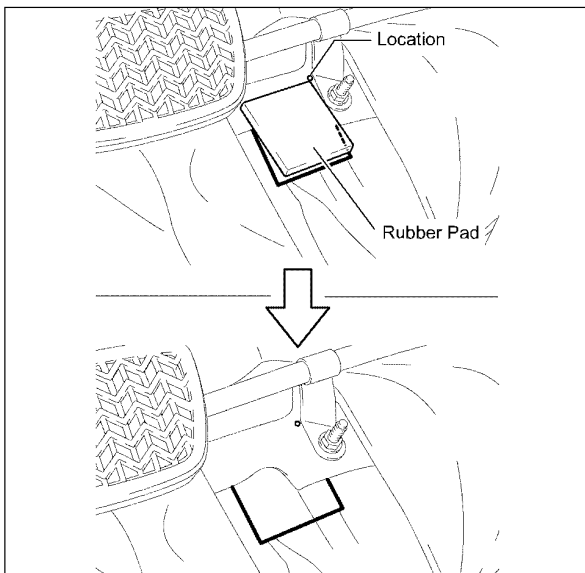


- a) Photocopy and cut out the template located at the end of the appendix.

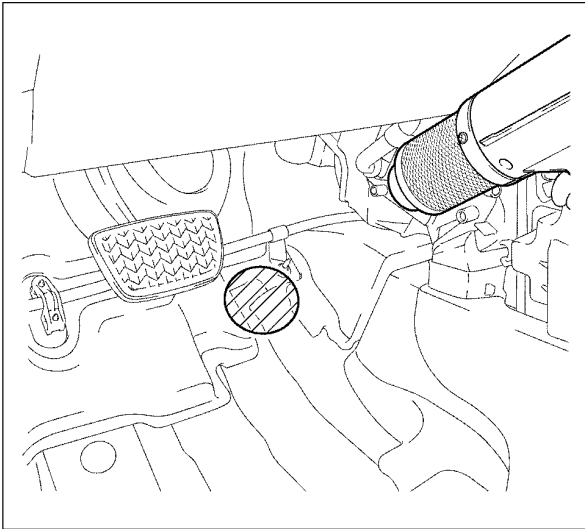
- b) Hold the template against the fabric floor silencing material and mark the template outline with a pen.



C. REMOVE THE SOUND DEADENING MATERIAL



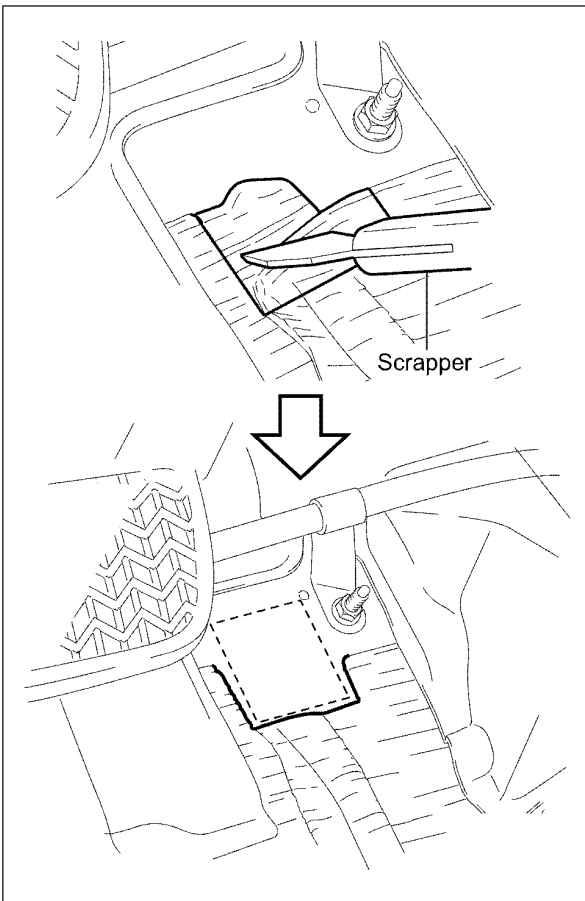
1. Temporarily place the rubber pad on the floor panel as shown, and outline the pad on the sound deadening material with a ball point pen.



2. Using a hair dryer or low temperature heat gun, warm up the sound deadening material until it becomes soft.

NOTE:

- Make sure not to damage the fabric floor silencing material.
- Pay close attention when using the hair dryer or low temperature heat gun to prevent damage to the carpet.

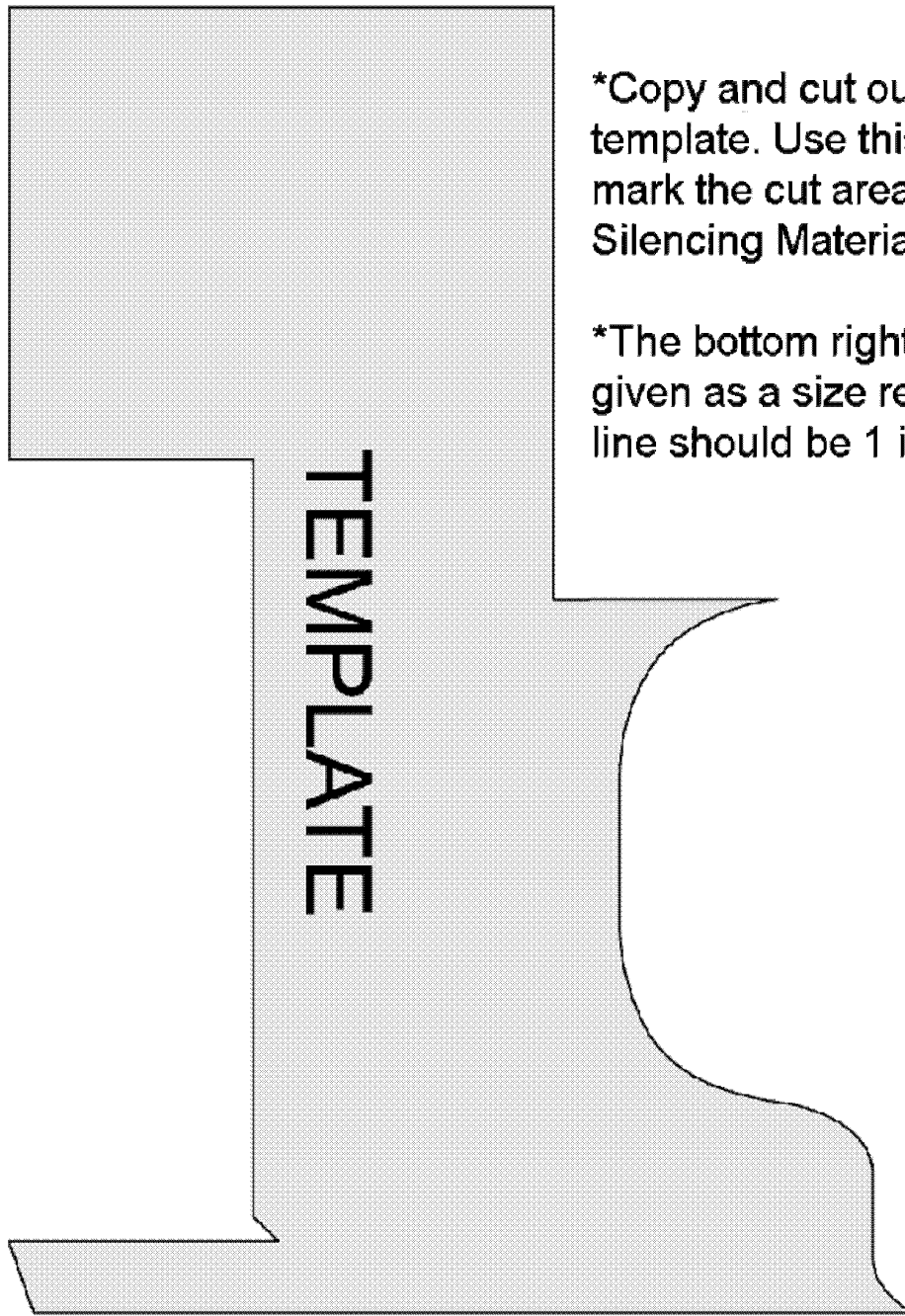


3. Using a scraper, remove the sound deadening material from the rubber pad application area.
4. Remove any loose sound deadening material from the rubber pad application area.

NOTE:

- Wear protective gloves during the scraping process.
- Warm up the sound deadening material again, if it becomes hard during removal.
- Remove the sound deadening material until the rubber pad application surface is smooth.
- Make sure not to damage the paint film on the floor panel when scraping.
- Apply touch up paint if the paint film was damaged.

Floor Silencing Material Template



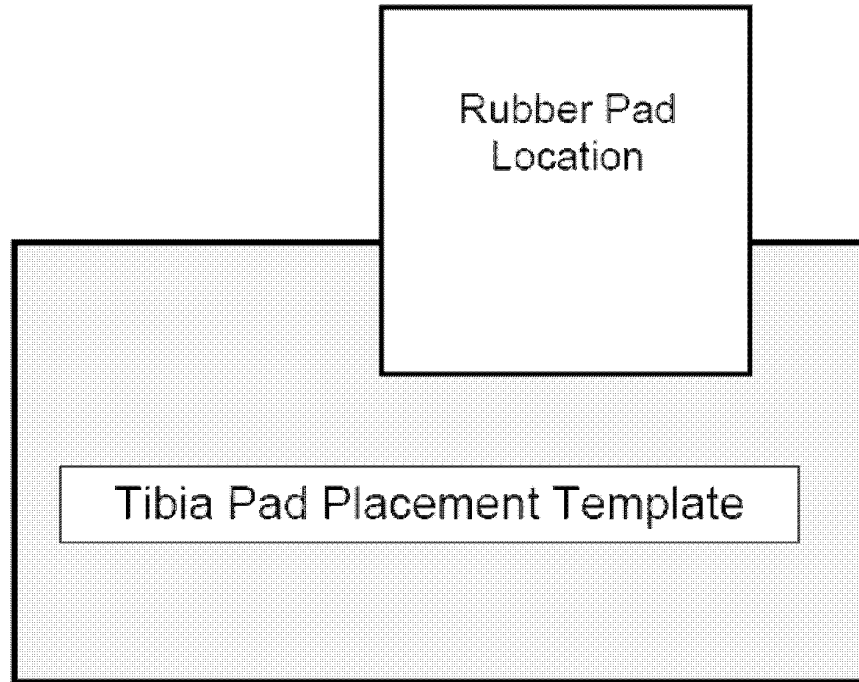
*Copy and cut out this template. Use this template to mark the cut area on the Floor Silencing Material.

*The bottom right guide line is given as a size reference. This line should be 1 inch in size.

1 inch
(25.4 mm)

1 inch
(25.4 mm)

Tibia Pad Placement Template



*Copy and cut out this template.
Use this template to correctly
position the tibia pad assembly.

*The bottom right guide line is
given as a size reference. This
line should be 1 inch in size.

